

MECONTROL Coal

MECONTROL Coal

Technical Data

Number of flow channels	up to 32
Measurement principle concentration	Microwave resonance matched to pipe size (typ. < 1 GHz)
Measurement principle velocity	correlation transit time
Concentration range	50 - 10.000 g/m ³
Flow velocity range	10 - 60 m/s
Probes:	
Process Pressure	- 0,1 - 4 bar (g)
Material wetted parts	Tungsten carbide
Pipe diameter range	150 - 750 mm
Process connection	thread 5/8" - 18 UNCF
Process temperature probe	0 - 150° C extended range on request
Ambient temperature probe	0 - 110° C
Explosion protection ex version probe	Ex II 1/3 D Ex iaD 20/tD A22 TX IP 6X
DCS Cabinet and SCADA PC	
Protection Class	IP 55
Ambient Temperature	0 - 55° C DCS Cabinet
Voltage Input	1~230 VAC / 50-60 Hz
Power Consumption	appr. 500 VA + 350 VA SCADA PC
Local Switch Box	
Protection Class	IP 66, NEMA 4
Ambient Temperature	0 - 55° C, no cooling required
Voltage Input	1~230 VAC / 50-60 Hz
Power Consumption	Ethernet Switch: appr. 200 VA Local Field Boxes: max. 2000 VA (8 x 250 VA) Total: max. 2200 VA
Local Field Box	
Number of Measurement Channels	4
Protection Class Local Field Box	IP 66, NEMA 4
Ambient Temperature	0 - 55° C Field Box
Voltage Input	1~230 VAC / 50-60 Hz
Power Consumption	appr. 250 VA (power supply from Local Switch Box)

Technical Changes Reserved

For further information please contact:**PROMECON**

PROMECON process measurement control GmbH

Steinfeldstr. 5
D-39179 Barleben
GermanyPhone +49 (0)39203 512-0
Fax +49 (0)39203 512-202
www.promecon.com
info@promecon.com**Your complete mill performance assessment online!**

- Online coal mass flow measurement
- Online velocity measurement
- ATEX version available

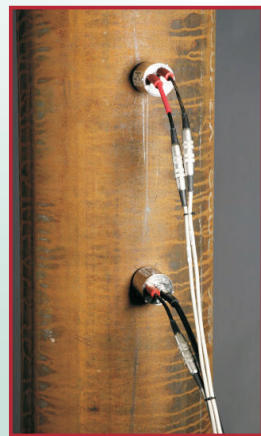
PROMECON GmbH Germany
Phone +49 (0)39203 512-0
info@promecon.com
www.promecon.com

MECONTROL Coal

The MECONTROL Coal central measurement base station controls all sensors and collates data.

Your complete mill performance assessment online!

Online coal mass flow sensor



Two independent technologies – microwave resonance for dust concentration and cross correlation for flow velocity – provide a true and trackable measurement performance for your fuel distribution problems.

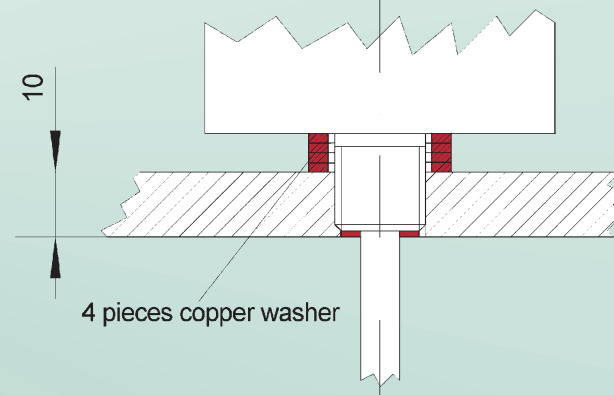
Online measurement of:

- Coal mass flow
- Coal velocity
- Coal concentration

Online coal mass flow sensors installed on a coal pipe.

Installation

at 10 mm wall thickness



Sensor and rod installation.

The following capabilities are provided:

- Full SCADA package
- Digital as well as analogue I/O
- Full access via modem/internet/ethernet
- Large data storage capacity for months of online data logging
- Inputs available for external signals (such as mill feeder, roller pressure etc.)
- Automatic calibration
- Derived data analysis online, in real time (mill dynamics)
- Operation through Touch Panel
- Panel IP 55 rated

Get deep insight into your grinding process and find the answers you always wanted to know:

Does your mill have the right size distribution, flow distribution, coal velocities



What is the response time of your mill to load changes



How does coal type and roller pressure affect your grinding



Are your classifier and PA settings o.k.



Get the answers dynamically online!

